

Operating instructions (US) 2 | Manuel d'utilisation (CAN) 14 | 取扱説明書 26

ZWILLING® FRESH & SAVE VACUUM STORAGE SYSTEM

Safety

Please carefully read this user manual in its entirety before using the vacuum pump. Keep this manual in a safe place. If you give the vacuum pump away, be sure to include this manual with it. A failure

Safety information

The vacuum pump (hereinafter referred to as the "appliance") is intended to be exclusively used with all ZWILLING FRESH & SAVE vacuum storage options to create an effective vacuum seal for long-lasting food storage. It may only be used with the accessories supplied or approved by Zwilling. Any other use is considered improper and may result in personal injury or property damage. The appliance

to comply with this user manual can lead to serious injury or damage to the appliance. ZWILLING does not accept any liability for damage caused by a failure to comply with this user manual.

is intended for domestic use. It is not intended for commercial use. Do not use the appliance on yourself, other people, or animals.

Certain people should use caution: the appliance is not to be used by persons (including children) with reduced physical, sensory or mental capabilities, or lack of experience and knowledge, unless they have been given supervision or instruction.

Children must not play with the appliance. Children should not clean nor maintain the appliance without supervision.

Keep the appliance and its charging cable in a location that is not accessible to children under 8 years old. Keep children away from the packaging material. It poses a risk of suffocation. The pump has a permanently installed battery. Improper handling increases the risk of fire. Only charge the battery using the included charging cable and power adapter. Do not disassemble the battery. Do not short-circuit the appliance and do not throw it into the fire. Do not open or otherwise destroy the appliance.



CAUTION – To reduce the risk of electric shock or injury, use Indoor only.

The appliance is charged with an electric current. There is therefore a danger of electric shock. Only plug the power adapter into a correctly installed socket. The appliance must only be supplied by SELV supplies. Only charge the appliance if the voltage stated on the rating plate matches the voltage of your socket. Make sure that the charging cable is not bent or pinched, and verify that the charging cable, the power adapter and the appliance do not come in contact with sources of heat (e.g. stove tops, gas flames). Always directly unplug the power adapter from the socket.

Do not carry the appliance by the charging cable. Disconnect the charging cable from the appliance immediately after it is fully charged. After every charging and in the event of danger or a defect, unplug the power adapter connected to the charging cable from the socket immediately. Unplug the appliance from the charging cable prior to cleaning or maintenance. As long as the power adapter is plugged in, there is a voltage inside the appliance, even if the appliance is switched off. This appliance contains batteries that are non-replaceable. Never dismantle the appliance nor try to make any technical adjustments.

Check the appliance for damage prior to each use. If you detect any shipping damage, immediately contact the dealer from whom you purchased the appliance. Never use a faulty appliance or accessories. Never operate an appliance or accessories that have been dropped. In the event of a problem, please contact customer service. This appliance and its accessories must be repaired by a professional - they cannot be repaired by you. Damage may occur if the appliance is handled incorrectly.




Explanation of symbols

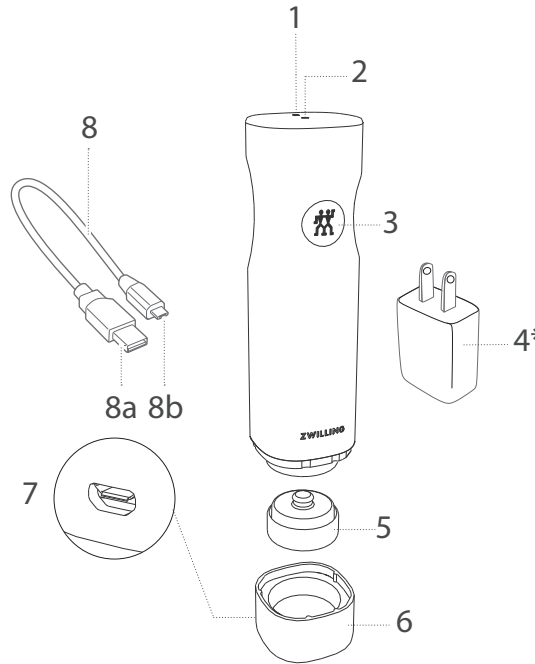
 WARNING	Danger or harm to persons or property due to electric current
NOTICE	Risk of property damage and damage to the appliance
	Hints for efficient use



This device complies with part 15 of the FCC Rules. Operation is subject to the condition that this device does not cause harmful interference.

Key to symbols on the appliance

-  Household use
-  ETL certification mark
-  Energy efficiency class



*The power adapter is only included in starter packs sold in the USA and Canada. All instructions regarding the specific power adapter are only relevant to customers with the respective starter packs.

Technical data - vacuum pump

Battery specification	3,7 V, Li-ion 1200 mAh
Power adapter	Input: 100 - 240 V~, 50/60 Hz Output: 5 V $\overline{=}$, 1000 mA
Type number of power adapter	HNFG050100UU
Charging cable	USB 2.0 type A, micro USB, length 31.5 in (0.8 m)
Dimensions (L x W x H)	2 x 2 x 7.5 in (50 x 50 x 190 mm)
Weight	approx. 0.66 lbs (0.3 kg)
Material	ABS plastic, silicone

Content in starter set may vary.

- | | |
|------------------------------|--|
| 1 Battery symbol | 2 Indicator light |
| 3 On/Off button | 4 Power adapter* |
| 5 Silicon valve | 6 Charging station |
| 7 USB connection port | 8 Charging cable with USB 2.0 (a) and micro USB (b) |

Use

Congratulations on your FRESH & SAVE vacuum starter set. With FRESH & SAVE vacuum products you can keep your food fresh for longer.

NOTICE

Please note that vacuuming is **noT** a substitute for proper freezing, cooling or preservation of food. The shelf life of food depends on many factors, such as the initial germ content of the food, the observance of correct storage and cooling conditions and the required hygiene during processing and vacuuming. Maintain the usual storage and hygiene procedures for food. If possible, dry the food before vacuum packaging. Always wait for the food to cool down to room temperature before vacuuming. Some vegetables emit gases in their raw state, which can lead to a loss of vacuum inside the packaging. These include cabbage, beans, onions and garlic. To prevent the formation of gases, these should be blanched before vacuuming. Blue cheese should not be stored under vacuum, fresh mushrooms only when deep-frozen.

Reading the indicator light and battery symbol

- Indicator light flashing: Vacuum sealing in process
- Indicator light lights up for 5 seconds and then turns off: Vacuum sealing is complete
- Battery symbol flashing fast: Battery power is low
- Battery symbol flashing slow: Charging in process
- Battery symbol glowing: Fully charged, ready to unplug

1 Charging the vacuum pump

NOTICE

To maintain optimal battery function, charge at least once every 3 to 6 months.

Charge the vacuum pump fully before the first use. Place the pump in the charging station. Insert the small USB connector into the port at the charging station. Insert the larger USB connector (USB 2.0) into the power adapter and plug it into a wall socket.

You can also connect the charging cable to the USB port of a computer. During charging, the indicator light will flash slowly. When the pump is fully charged, the indicator light will continuously glow. Charging can take 2 to 5 hours.

2 Vacuum sealing boxes and bags

NOTICE

The pump must not absorb any liquids (e.g. water, oil, meat juices). If you see that the pump is sucking in liquids, immediately stop the vacuum sealing process by pressing the On/Off button.



The duration of the vacuum sealing process depends on the size of the container and how much it is filled. If a container is smaller or more full, the vacuum sealing process is faster.

Place the vacuum pump on the valve of the box and, if necessary press down lightly. Press the On/Off button on the pump.

The pump sucks the air out of the box. The vacuum sealing stops automatically when the vacuum pressure reaches the right level. The vacuum sealing can also be manually interrupted at any time by pressing the On/Off button.

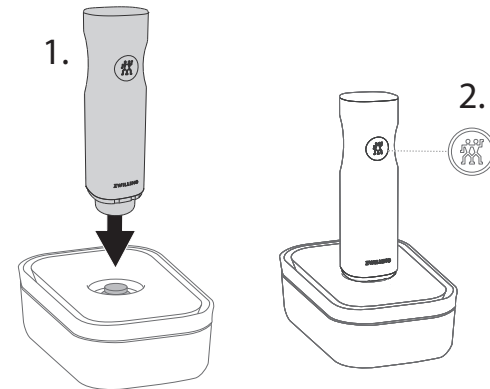
If the right level cannot be reached because, for example, the pump is not seated correctly, the vacuum process will stop automatically after 2 minutes. The container may not be closed properly.

NOTICE

Clean the vacuum boxes before using them for the first time. Before each use, make sure that the seal of the lid and the edge of the box are clean and dry.

NOTICE

Do not overfill the box. Always leave 1 - 2 cm free to the edge. Make sure the food inside the box does not come in contact with the valve on the inside of the lid.



NOTICE

FRESH & SAVE glass vacuum boxes can be placed in the oven if the lid is removed. Do not expose the glass vacuum boxes to extreme temperature shocks, e.g. do not place a vacuum box out of the fridge into a warm oven.

NOTICE

The opening of the bag **must** be completely clean and dry. Make sure the valve on the inside of the bag does not come into contact with its contents.

NOTICE

All bags and boxes included in the starter pack can be used to warm up food in the microwave, **even** boxes with attached lids. For oily foods we recommend **using** the glass boxes.

NOTICE

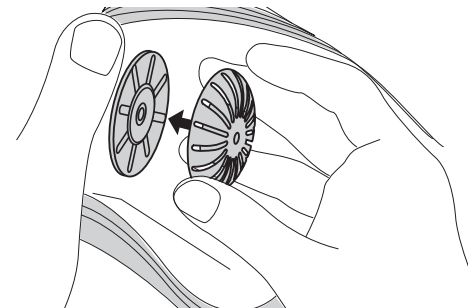
Before using the boxes in the microwave, make sure that the vacuum has been released and the lid is resting loosely on top.



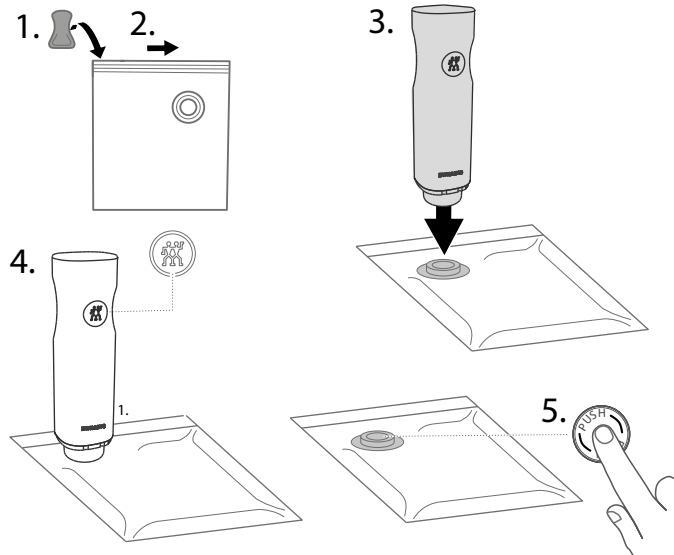
With soft or liquid foods, it helps to freeze them briefly before vacuuming into bags. A firm consistency prevents your food from being crushed during vacuuming or liquid from entering the pump. Alternatively, the FRESH & SAVE vacuum boxes are particularly suitable here.



For marinating or sous-vide cooking, we recommend the use of the liquid barrier attachment. Clip it onto the valve on the inside of the bag before sealing the bag. The liquid barrier inhibits liquid absorption by the pump during the vacuum sealing process. Stop the vacuum sealing process immediately by pressing the ON/OFF button if you see liquids getting nearer to the pump.



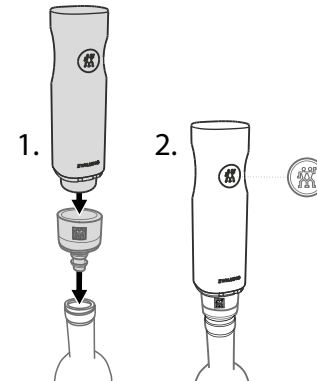
Bags can be easily closed with the included zipper. Slide it sideways onto the bag and move it across to close the bag. Then stroke your finger with a little pressure over the sealing strip to ensure that the bag is properly closed. To open the bags, pull the sealing bar apart with your hands.



NOTICE

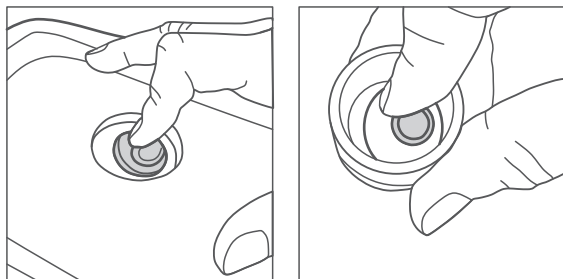
Remember to press down the PUSH button in the middle of the silicone valve after each vacuuming process to finally seal the valve.

Bottles can be sealed using the wine sealer. The pump stops automatically when the vacuum pressure reaches the right level.

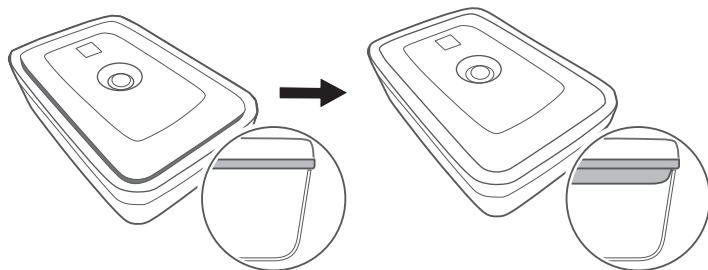


3 Opening a vacuumed container

To open vacuum boxes or bottles, carefully pull the silicone valve to the side. Air flows in slowly and the vacuum escapes. The containers can be opened.



After the vacuuming process, the inner lid of the vacuum box will be lowered and the sealing is expanded (this behaviour does not apply to lids from lunch boxes). As soon as the inner lid lifts, the vacuum should be refreshed. Use the vacuum pump to vacuum the box again.



4 Using QR codes and the app

FRESH & SAVE vacuum boxes and bags are equipped with a QR code, which is matched to the ZWILLING app. With the help of the app you can easily manage your vacuumed food and **create a precise inventory**. The QR code on the products makes it easy to check the food into the app. The app reminds you when your food is due to expire. First download the ZWILLING app and then scan the QR code.



Each vacuum bag has a unique bag ID. This helps you to clearly identify your food.

More information and to download the app for free:



www.zwilling.com/app

Cleaning

⚠ WARNING

Unplug the power adapter and disconnect the vacuum pump from the charging cable prior to cleaning.

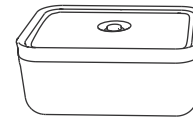
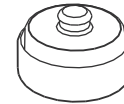
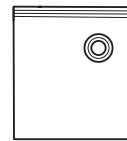
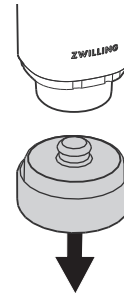
1 Cleaning the vacuum pump

Only use a dry or slightly damp cloth to clean the body of the vacuum pump and the charging station. Do not put any parts of the pump into the dishwasher



2 Cleaning the silicone top

To clean the silicone top, remove it from the body of the vacuum pump by gently pulling downwards and clean it with water.



3 Cleaning the boxes

The boxes can be cleaned in the dishwasher.

4 Cleaning the bags

You can clean the bags by hand and reuse them afterwards. Dry the bags completely after each cleaning. If you have stored raw meat, fish, eggs or raw milk cheese in them, they must be cleaned particularly thoroughly.

Troubleshooting

Problem	Possible cause	Remedy
The pump does not respond to the On/Off button.	The pump's battery is low or not charged.	Charge the pump's battery.
The pump does not create a vacuum when placed on a container or the vacuum does not last.	The lid of the vacuum container, the silicone seal or the valve is positioned incorrectly.	Check that the positioning is correct and that the lid is properly closed.
	The silicone seal and/or the container valve are dirty or wet.	Clean and dry the silicone seal and the valve of the container.
	The pump sits too loosely on the valve.	During vacuum sealing, lightly press the pump into the dock surrounding the valve to create a tight seal between the pump and the valve.

The above problems cannot be solved.

The vacuum pump could be broken.

Contact customer service. Do not try to repair the pump yourself.

The pump stops during the vacuum sealing process and does not turn back on.

The pump sucked in liquids during the vacuum sealing process.

Do not turn the pump upside down. Shake the pump slightly to remove any liquid. Make sure the pump and the charging station are completely dry. Plug the pump into the charging station for one second to reset, then remove it and push the On/Off button. Additional liquids may drip out. Repeat this process if the pump stops again.

Customer Service

Please contact our customer service should you encounter any problems with your vacuum pump. Detailed information on service, repairs and warranty can be found at www.zwilling.com/service.

Disposal



Do not dispose of the appliance with household waste. For an eco-friendly disposal, please return your old appliance to a collection point for electrical appliances. Separate collection of individual components of EE equipment **helps to reduce** environmental pollution and **minimizes the danger** to humans, which may occur as a result of improper product disposal. In addition, it enables reuse and recovery of the materials, thus saving energy and raw materials.

Sécurité

Veillez lire attentivement ce manuel d'utilisation dans son intégralité avant d'utiliser la pompe à vide. Conservez ce manuel d'utilisation dans un endroit sûr. Si la pompe à vide est cédée à un tiers, assurez-vous d'inclure le manuel d'utilisation avec la pompe à vide.

Le non-respect de ce manuel d'utilisation pourrait entraîner des blessures graves ou endommager l'appareil. Zwilling décline toute responsabilité pour les dommages dus au non-respect de ce manuel d'utilisation.

Informations sur la sécurité

La pompe à vide (ci-après dénommée « l'appareil ») vise à être exclusivement utilisée avec les options de conservation sous vide ZWILLING FRESH & SAVE pour une mise sous vide efficace et une conservation alimentaire durable. Elle peut uniquement être utilisée avec les accessoires fournis ou approuvés par Zwilling. Toute autre utilisation est considérée comme incorrecte et

pourrait résulter en des blessures corporelles ou en des dégâts matériels. L'appareil vise un usage domestique uniquement et non un usage commercial. Ne pas utiliser l'appareil sur soi, sur d'autres personnes ni sur des animaux. Certaines personnes doivent faire attention: - l'appareil ne doit pas être utilisé par des personnes (y compris des enfants) ayant des capacités physiques,

sensorielles ou mentales réduites, ou un manque d'expérience et de connaissances, à moins qu'elles n'aient reçu une supervision ou une instruction. Les enfants doivent être surveillés pour ne pas jouer avec l'appareil. Les enfants ne doivent pas procéder au nettoyage ni à l'entretien de l'appareil sans surveillance.

Conservez l'appareil et le câble de charge dans un endroit non accessible aux enfants de moins de 8 ans. Conservez les emballages hors de portée des enfants. Ils représentent un risque d'étouffement. La pompe dispose d'une batterie permanente. Une mauvaise manipulation augmente le risque d'incendie. Chargez la batterie uniquement en utilisant le câble de charge

et l'adaptateur secteur. Ne pas démonter la batterie. Ne pas court-circuiter l'appareil, ne pas le mettre au feu. Ne pas ouvrir l'appareil ni le détruire par un autre moyen. ATTENTION - Pour réduire le risque de choc électrique ou blessures, utilisation en intérieur uniquement. L'appareil est chargé de courant électrique. Il existe donc un danger de choc électrique. Branchez l'adaptateur secteur à une prise correctement installée. Cet appareil ne doit être alimenté qu'à basse tension. Chargez l'appareil uniquement si la tension indiquée sur la plaque signalétique correspond à la tension de votre prise. Assurez-vous que le câble de charge ne soit ni plié ni pincé et vérifiez que le câble de charge, l'adaptateur secteur

et l'appareil ne soient pas en contact avec une source de chaleur (par ex. des plaques de cuisson ou des flammes de gaz). Débranchez toujours l'adaptateur secteur directement à la prise.

Ne pas porter l'appareil par le câble de charge. Déconnectez le câble de charge de l'appareil immédiatement après qu'il soit entièrement chargé. Après chaque charge et en cas de danger ou de défaillance, débranchez immédiatement l'adaptateur secteur connecté au câble de charge de la prise. Débranchez l'appareil du câble de charge avant le nettoyage ou l'entretien. Tant que l'adaptateur secteur est branché, l'appareil est sous tension, même si l'appareil est éteint. Cet appareil contient des piles qui ne

sont pas remplaçables. Ne jamais démonter l'appareil ni essayer de réaliser des réglages techniques. Vérifiez d'éventuels dommages de l'appareil avant chaque utilisation. Si vous détectez des dégâts dus à l'expédition, contactez immédiatement le revendeur auquel vous avez acheté l'appareil. Ne jamais utiliser un appareil ou des accessoires défectueux. Ne jamais faire fonctionner un appareil ou des accessoires ayant subi une chute. En cas de problème, veuillez contacter votre service client. Cet appareil et ses accessoires doivent être réparés par un professionnel, ils ne peuvent pas être réparés par vous. Des dégâts pourraient survenir si l'appareil est sujet à une mauvaise manipulation.

Explication des symboles

ATTENTION

Les risques ou dommages aux personnes ou aux biens en raison du courant électrique

AVERTISSEMENT

Risque de dommages matériels et d'endommagement de l'appareil



Conseils pour une utilisation efficace



L'appareil est conforme à la partie 15 des Règles FCC. L'opération de l'appareil est sous réserve que ce dernier ne crée pas d'interférence préjudiciable.

Signification des symboles présents sur l'appareil



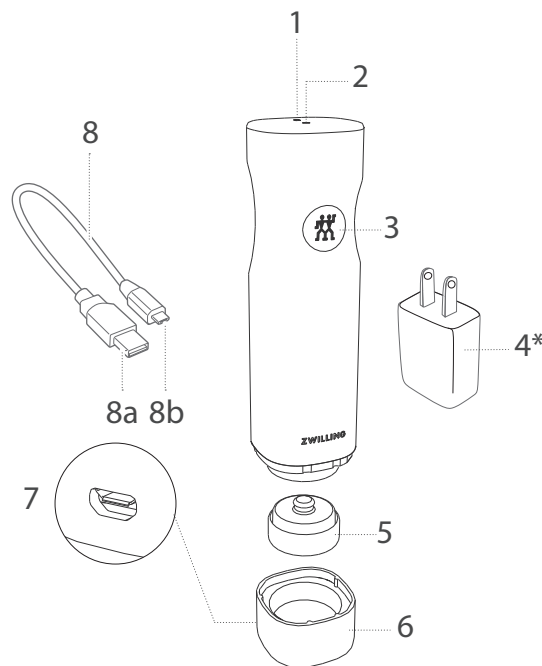
Usage domestique



Marque de certification ETL



Classe d'efficacité énergétique



*L'adaptateur d'alimentation n'est inclus que dans les packs de démarrage vendus aux États-Unis et au Canada. Toutes les instructions concernant l'adaptateur d'alimentation spécifique ne concernent que les clients possédant les packs de démarrage respectifs.

Caractéristiques techniques – pompe à vide

Spécifications de la batterie	3,7 V, Li-ion, 1 200 mAh
Adaptateur secteur	Entrée : 100 - 240 V~, 50/60 Hz Sortie : 5 V $\overline{=}$, 1 000 mA
Numéro du type de l'adaptateur secteur	HNFG050100UU
Câble de chargement	USB 2.0 type A, micro USB, longueur 31,5 pouces (0,8 m)
Dimensions (l x p x h)	2 x 2 x 7,5 in (50 x 50 x 190 mm)
Poids	env. 0,66 lbs (0,3 kg)
Matériau	Plastique ABS, silicone

Le contenu de l'ensemble de départ peut être différent.

1 Symbole de la batterie	2 Témoin lumineux
3 Bouton Marche/Arrêt	4 Adaptateur secteur*
5 Valve en silicone	6 Station de chargement
7 Port de connexion USB	8 Câble de chargement avec USB 2.0 (a) et micro USB (b)

Utilisation

Félicitations pour l'acquisition de votre ensemble de départ de mise sous vide FRESH & SAVE. Les produits de mise sous vide FRESH & SAVE vous permettent de conserver plus longtemps vos aliments frais.

AVERTISSEMENT

Veillez noter que la mise sous vide ne remplace pas la congélation, le refroidissement ou la conservation des aliments. Le durée de conservation de vos aliments dépend de plusieurs facteurs comme la teneur en germes initiale de vos aliments, le respect d'un stockage correct et des conditions de refroidissement ainsi que de l'hygiène requise lors de la mise en récipients et de la mise sous vide. Conserver un stockage habituel et respecter les procédures d'hygiène concernant les aliments. Si possible, faire sécher les aliments avant de les emballer sous vide. Toujours attendre que les aliments refroidissent à température ambiante avant de les mettre sous vide. Certains légumes émettent des gaz lorsqu'ils sont crus, ce qui peut entraîner une perte de vide à l'intérieur de l'emballage. C'est le cas notamment du chou, des haricots, des oignons et de l'ail. Pour éviter la formation de gaz, il faut les blanchir avant la mise sous vide. Le fromage bleu ne doit pas être conservé sous vide, les champignons frais uniquement s'ils sont surgelés.

Interprétation du voyant lumineux et du symbole de la batterie

- Clignotement du témoin lumineux : Procédure d'emballage sous vide en cours
- Le témoin lumineux s'allume pendant 5 secondes, puis s'éteint : Procédure d'emballage sous vide terminée
- Clignotement rapide du symbole de la batterie : Le niveau de la batterie est faible
- Clignotement lent du symbole de la batterie : Chargement en cours
- Symbole de la batterie allumé : Charge complète, prêt à être débranché

1 Chargement de la pompe à vide

AVERTISSEMENT

Pour maintenir un fonctionnement optimal de la batterie, il est conseillé de la recharger au moins une fois tous les 3 à 6 mois.

Charger complètement la pompe à vide avant la première utilisation. Placer la pompe dans la station de chargement. Insérer le petit connecteur USB dans le port situé sur la station de chargement. Insérer le plus gros connecteur USB (USB 2.0) dans l'adaptateur et le brancher dans une prise murale.

Vous pouvez également connecter le câble de chargement au port USB d'un ordinateur. Pendant le chargement, le témoin lumineux clignote lentement. Lorsque la pompe est complètement chargée, le témoin lumineux s'allume en permanence. Le chargement peut prendre entre 2 et 5 heures.

2 Mise sous vide des boîtes et des sacs

AVERTISSEMENT

La pompe ne doit pas absorber de liquides (p. ex. eau, huile, jus de viande). Si vous voyez que la pompe est en train d'aspirer des liquides, interrompez immédiatement la procédure d'emballage sous vide en appuyant sur le bouton Marche/Arrêt.



La durée de la procédure d'emballage sous vide dépend de la taille du récipient et de son remplissage. Plus le récipient est petit ou bien rempli, plus la procédure d'emballage sous vide ira vite.

Placer la pompe à vide sur la valve de la boîte et appuyer légèrement vers le bas si nécessaire. Appuyer sur le bouton Marche/Arrêt de la pompe.

La pompe aspire automatiquement l'air de la boîte. La procédure d'emballage sous vide s'arrête automatiquement lorsque la pression de vide a atteint le bon niveau. Il est également possible d'interrompre la procédure d'emballage sous vide manuellement à tout moment en appuyant sur le bouton Marche/Arrêt.

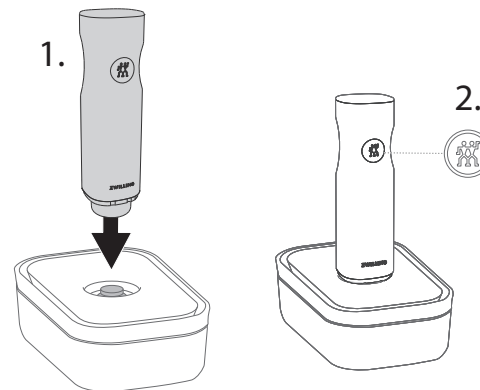
Si le bon niveau ne peut être atteint car, par exemple, la pompe n'est pas positionnée correctement, le processus de mise sous vide sera automatiquement interrompu au bout de 2 minutes. Le récipient ne sera pas fermé correctement.

AVERTISSEMENT

Nettoyer les boîtes sous vide avant leur première utilisation. Avant chaque utilisation, assurez-vous que le joint du couvercle et les bords de la boîte sont propres et secs.

AVERTISSEMENT

Ne pas trop remplir la boîte. Laisser toujours un espace de 1-2 cm sous le bord. S'assurer que les aliments à l'intérieur de la boîte n'entrent pas en contact avec la valve située à l'intérieur du couvercle.



AVERTISSEMENT

Les boîtes sous vide en verre FRESH & SAVE peuvent passer au four à condition d'ôter le couvercle. Ne pas exposer les boîtes sous vide en verre à un choc thermique violent, p. ex. ne pas sortir une boîte sous vide du réfrigérateur pour la placer aussitôt dans un four chaud.

AVERTISSEMENT

L'ouverture du sac doit être complètement propre et sèche. S'assurer que la valve à l'intérieur du sac n'entre pas en contact avec son contenu.

AVERTISSEMENT

Tous les sacs et boîtes contenus dans le pack de départ peuvent être utilisés pour réchauffer de la nourriture au micro-ondes. Même les boîtes à couvercles fixes. Pour les aliments gras, nous vous recommandons d'utiliser des boîtes en verre.

AVERTISSEMENT

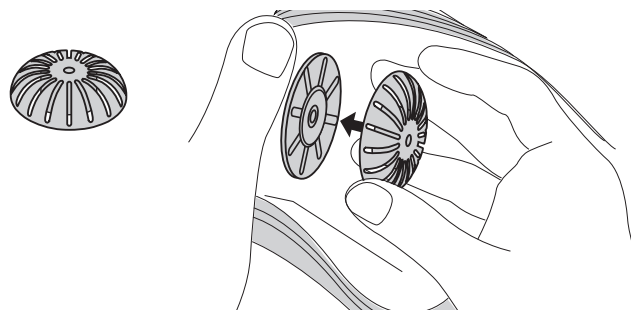
Avant d'ouvrir les boîtes dans le micro-ondes, s'assurer que le vide a été supprimé et que le couvercle repose librement sur le dessus.



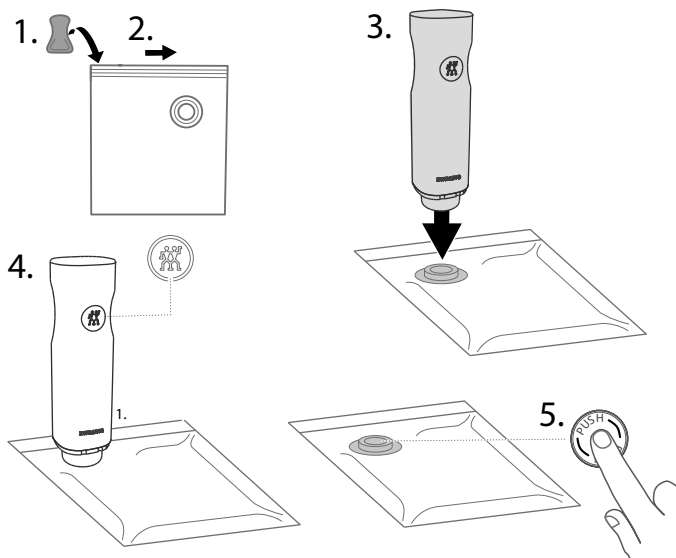
En ce qui concerne les aliments mous ou liquides, cela aide de les congeler brièvement avant de les mettre sous vide en sacs. Une consistance ferme évite à vos aliments d'être écrasés lors de la mise sous vide ou au liquide d'entrer dans la pompe. Sinon, les boîtes sous vide FRESH & SAVE offrent une alternative idéale dans ce cas.



Pour cuisiner en marinade ou sous vide, nous vous recommandons d'utiliser le liquide barrière anti-attachement. L'attacher sur la valve à l'intérieur du sac avant de fermer le sac sous vide. Le liquide barrière empêche l'absorption de liquide par la pompe durant la procédure d'emballage sous vide. Arrêter la procédure d'emballage sous vide immédiatement en appuyant sur le bouton Marche/Arrêt si vous voyez que du liquide s'approche de la pompe.



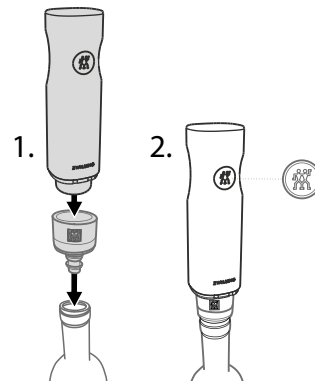
Les sacs peuvent être facilement fermés grâce au zip intégré. Aplatir le bord du sac et appuyer tout le long du zip afin de fermer le sac. Puis passer votre doigt en exerçant une petite pression le long de la bandelette d'étanchéité pour vous assurer que le sac est correctement fermé. Pour ouvrir les sacs, séparer les deux moitiés en contact de la bandelette d'étanchéité avec vos mains.



AVERTISSEMENT

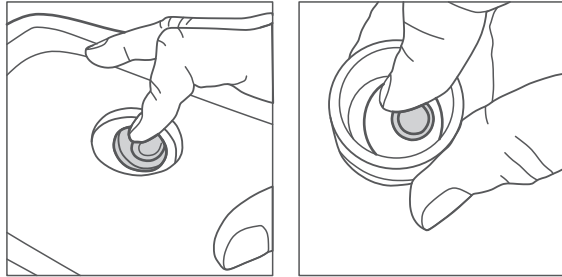
Rappelez-vous d'appuyer sur le bouton **POUSSER** au milieu de la valve en silicone après chaque procédure de mise sous vide pour sceller définitivement la valve.

Les bouteilles peuvent être mise sous vide en utilisant l'appareil de fermeture pour bouteilles de vin. La pompe s'arrête automatiquement lorsque la pression de vide atteint le bon niveau.

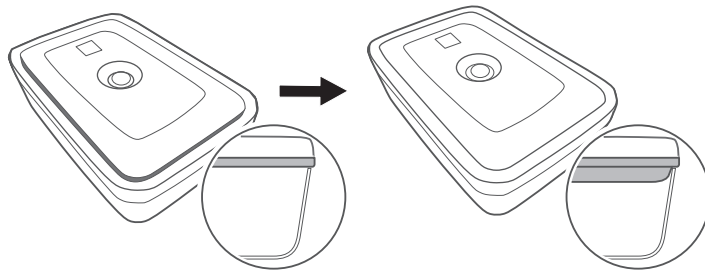


3 Ouverture d'un récipient sous vide

Pour ouvrir les boîtes ou bouteilles sous vide, pousser doucement la valve en silicone sur le côté. L'air entre lentement et remplace le vide. Les récipients peuvent être ouverts.



Après avoir terminé la procédure de mise sous vide, le couvercle intérieur de la boîte sous vide sera descendu plus bas et le scellement sera étendu (ce comportement ne doit pas être adopté avec les couvercles des boîtes déjeuner). Dès que le couvercle intérieur remonte, la mise sous vide doit être ajustée. Utiliser la pompe à vide pour effectuer le vide de la boîte à nouveau.



4 Utilisation des QR codes et de l'application

Les boîtes et les sacs FRESH & SAVE sont équipés d'un QR code qui fonctionne avec l'application ZWILLING. A l'aide de l'application, vous pouvez facilement gérer vos aliments mis sous vide et avoir une vue d'ensemble parfaite de vos stocks. Le QR code sur les produits permet de vérifier facilement vos aliments dans l'application. L'application vous rappelle quand vos aliments arrivent en date limite de consommation. Commencer par télécharger l'application ZWILLING, puis scanner le QR code.



Chaque sac sous vide a un ID unique. Cela vous permet d'identifier plus facilement vos aliments.

Pour plus d'informations et pour télécharger gratuitement l'application :



www.zwilling.com/app

Nettoyage

⚠ ATTENTION

Débrancher l'adaptateur d'alimentation et retirer le câble de chargement de la pompe à vide avant de la nettoyer.

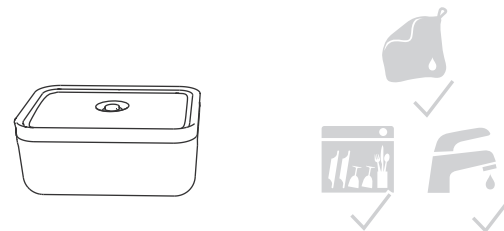
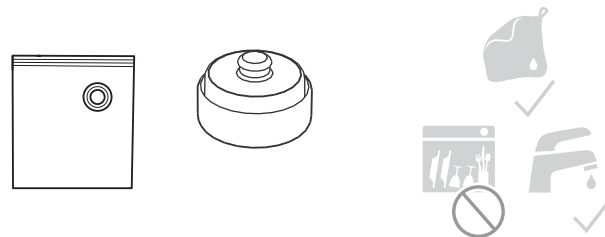
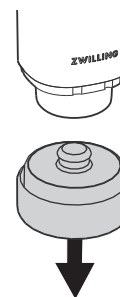
1 Nettoyage de la pompe à vide

Utiliser uniquement un chiffon sec ou très légèrement humide pour nettoyer le corps de la pompe à vide et la station de chargement. Ne mettre aucune pièce de la pompe dans le lave-vaisselle



2 Nettoyage de la partie en silicone

Afin de nettoyer la partie en silicone, retirez-la du corps de la pompe à vide en poussant doucement dessus vers le bas et passez-la sous l'eau.



3 Nettoyage des boîtes

Les boîtes se lavent au lave-vaisselle.

4 Nettoyage des sacs

Vous pouvez nettoyer les sacs à la main et les réutiliser ensuite. Faire sécher complètement les sacs après chaque nettoyage. Si vous avez conservé de la viande crue, du poisson, des œufs ou du fromage au lait cru dans ces derniers, il faut les nettoyer particulièrement soigneusement.

Dépannage

Problème	Cause possible	Solution
La pompe ne réagit pas à l'actionnement du bouton Marche/Arrêt.	La batterie de la pompe est faible ou déchargée.	Charger la batterie de la pompe.
	Le couvercle du récipient sous vide, le joint en silicone ou la valve est mal positionnée.	Vérifier que le positionnement est correct et que le couvercle est bien fermé.
La pompe ne crée pas de vide quand on la place sur un récipient ou la mise sous vide ne dure pas longtemps.	Le joint en silicone et/ou la valve du récipient sont sales ou humides.	Nettoyer et sécher le joint en silicone et la valve du récipient.
	La pompe est mal fixée sur la valve.	Pendant la procédure de mise sous vide, appuyer légèrement la pompe contre le creux qui entoure la valve pour favoriser une jonction ferme entre la pompe et la valve.

Les problèmes ci-dessus ne peuvent être résolus.

La pompe à vide doit être cassée.

Contactez le service clientèle. Ne pas essayer de réparer la pompe par soi-même.

La pompe s'arrête pendant la procédure d'emballage sous vide et ne veut pas se remettre en marche.

La pompe a absorbé des liquides pendant la procédure d'emballage sous vide.

Ne pas retourner la pompe à l'envers. Secouer légèrement la pompe pour retirer tout liquide. S'assurer que la pompe et la station de chargement sont complètement sèches. Brancher la pompe dans la station de chargement pendant une seconde pour la réinitialiser, puis la retirer et appuyer sur le bouton Marche/Arrêt. Des liquides supplémentaires peuvent s'égoutter. Répéter cette procédure si la pompe s'arrête de nouveau.

Service clientèle

Veillez contacter notre service client si vous deviez rencontrer le moindre problème avec votre pompe à vide. Informations détaillées sur le service clientèle, les réparations et la garanties disponibles sur www.zwilling.com/service.

Recyclage



Ne pas jeter l'appareil avec les ordures ménagères. Pour un recyclage éco-responsable, veuillez déposer votre ancien appareil à un point de collecte pour appareils électriques. Récupérer une série de composants individuels d'un équipement EE évite de polluer notre environnement et réduit les risques d'atteinte à la santé humaine, qui résultent d'un mauvais recyclage des objets. De plus, elle permet la réutilisation et la récupération des matériaux, économisant ainsi de l'énergie et des matières premières.

安全にご使用いただくために

真空ポンプを使用する前に、これらの取扱説明書をすべて最後まで注意深く読んでください。これらの取扱説明書は安全な場所に保管してください。真空ポンプをサードパーティに移管する場合は、移管時にこれらの取扱説明書も引き渡すよう確認してください。

安全上のご注意

この真空ポンプ（以降「アプライアンス」と呼びます）は、すべてのZWILLING FRESH & SAVE 真空ストレージのオプションのみに使用し、ボックスやバッグ内などに真空を生成して食物の高品質な真空ストレージを保証するためのものです。また、一緒に使用できるアクセサリ（付属品）は、Zwilling が供給ま

これらの取扱説明書の内容の順守を怠ると、深刻な怪我やアプライアンスの損傷につながる可能性があります。

これらの取扱説明書の内容を順守しなかったために生じた損傷について、Zwilling はいかなる責任も負いません。

たは承認しているもののみとなります。その他の使用方法はすべて不適切と見なされ、人身事故や物的損傷の原因となる場合があります。アプライアンスは家庭での使用を想定しており、商業用ではありません。アプライアンスを自分、他の人間または動物に対して使うことはしないでください。

特定の人々はより大きなリスクにさらされています：

8 歳以上の子供、あるいは身体的、知覚的または精神的な能力が低減している人、あるいは経験や知識がない人がこのアプライアンスを使用する場合は、アプライアンスの安全な使用方法について監督または指導を必ず受けた上で、関連する種々の危険を理解していなければいけません。子供がこのアプライアンスで遊んではいけません。監督下でない子供が清掃およびメンテナンスを行ってははいけません。

アプライアンスと接続ケーブルは 8 歳未満の子供がアクセスできない場所に保管してください。子供が包装材料に近付かないようにしてください。窒息のリスクがあります。デバイスは永久取付け

のバッテリーを有しています。取扱いが不適切だと火事の原因になります。バッテリーの充電には必ず同梱の充電ケーブルを使ってください。バッテリーを解体しないでください。アプライアンスを短絡させたり、火の中に投げ込んだりしないでください。アプライアンスを開いたり、または破壊したりしないでください。

アプライアンスは電流で充電します。このため感電の危険があります。アプライアンスを充電するときは、使用するアダプターの銘板に記載されている電圧がソケットの電圧と必ず一致しているようにしてください。充電ケーブルがよじれていたり、挟まれていたりしないことを確認してください。充電ケーブルとアプライアンスが熱源（レンジ

安全にご使用いただくために

のトップやガス炎など)と接触しないように確保してください。電源アダプターをソケットから抜くときは、電源アダプターを直接抜いてください。

充電ケーブルを持ってアプライアンスを運ばないでください。充電プロセスが完了したら、直ちに充電ケーブルをアプライアンスの接続から外してください。毎回の充電後、そして危険や故障の発生時には、充電ケーブルに接続されている電源アダプターをソケットから直ちに抜いてください。清掃やメンテナンスを行うには、事前にアプライアンスを充電ケーブルから抜いてください。電源アダプターが挿入されている間は、アプライアンスのスイッチがオフになっていても、アプライアンス内には電圧が存在して

います。アプライアンスのねじをゆるめたり、技術的変更を加えるようなことは絶対にしないでください。

使用前には、毎回必ずアプライアンスに損傷がないか点検してください。輸送中の損傷が検出された場合は、アプライアンスの販売元ディーラーに直ちに連絡してください。不具合のあるアプライアンスやアクセサリーは絶対に使用しないでください。落としたアプライアンスやアクセサリーは絶対に開かないでください。不具合が発生した場合は、弊社カスタマーサービスまでご連絡ください。アプライアンスには、お客様が自分で修理できる部品は一切含まれていません。アプライアンスの取り扱いを誤ると、損傷が生じる可能性があります。

記号の説明



電流により人体や器物に被害が及ぶ危険

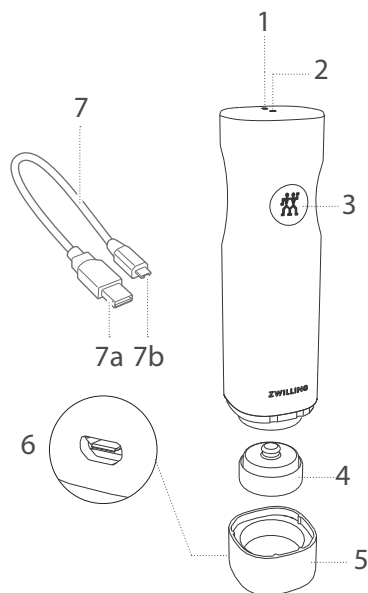


物的損害や本製品が損傷するリスク



効果的に使用するためのヒント

概要



- | | | | |
|---|------------|---|--|
| 1 | バッテリー表示 | 5 | 充電ステーション |
| 2 | インジケータ | 6 | USB 接続ポート |
| 3 | 電源オン/オフボタン | 7 | USB 2.0 (a) および micro USB (b) 付き充電ケーブル |
| 4 | シリコーンシール | | |

仕様 - 真空ポンプ

バッテリー仕様	3.7 V、リチウムイオン (Li-Ion)、 1200 mAh
電源アダプター(非同梱)	入力: 100~240 V~、50/60 Hz 出力: 5 V $\overline{\text{=}}$ 、1000 mA
充電ケーブル	USB 2.0 タイプ A、micro USB、 長さ 0.8 m
寸法 (長さ x 幅 x 高さ)	50 x 50 x 190 mm
重量	約 0.3 kg
材質	ABS樹脂、シリコーンゴム

スターターセットの内容はセットの種類により異なります。

使い方

! このたびは、FRESH & SAVE スターターセットをご購入いただき、ありがとうございます。FRESH & SAVE を使えば、食材をより長期間、新鮮に保つことができます。

ただし、真空保存は、食材の適切な冷凍・冷蔵や保存の代わりになるものではありません。食材の消費期限は、食材の初期細菌含有量や、保存方法、真空保存時の衛生状態などにより異なります。真空保存する際も、衛生的な食材保存の手順を引き続き行ってください。加熱調理後の食品は、常温まで冷めてから真空保存してください。キャベツ、豆類、玉ねぎ、にんにくなどの一部の野菜は、生の状態ではガスを放出するため、真空状態が保たれなくなる可能性があります。ガスの発生を防ぐためには、これらの野菜を下茹でするなどの下処理をしてから真空保存してください。ブルーチーズは真空保存しないでください。また、生のきのこ類は冷凍状態で真空保存してください。

インジケーターとバッテリー表示の意味

- インジケーターが点滅中：脱気中
- インジケーターが 5 秒間点灯し消灯：脱気が完了
- バッテリー表示が高速点滅：バッテリー残量が少ない
- バッテリー表示がゆっくり点滅：充電中
- バッテリー表示が点灯：充電が完了し、プラグを抜くことができる

1 真空ポンプを充電する

! バッテリーの機能を最適な状態に保つため、少なくとも 3～6 か月に 1 度は充電してください。

初めて使用する前に、真空ポンプを完全に充電してください。ポンプを充電ステーションに置き、充電用 USB ケーブルの小さいコネクタを充電ステーションのポートに差し込みます。大きい方のコネクタ (USB2.0) を電源アダプターに接続し、アダプターのプラグをコンセントに挿します。

充電ケーブルはパソコンの USB ポートでも充電できます。充電中はインジケーターがゆっくり点滅します。インジケーターが点滅せずに点灯を続けたら、充電が完了した合図です。充電には 2～5 時間かかる可能性があります。

2 コンテナ/バッグで真空保存する

！ 真空ポンプは、液体（水、油、肉汁など）を吸い上げると故障の原因になる恐れがあります。ポンプが液体を吸い込んでいたら、直ちに電源ボタンを押して停止させてください。

i 脱気にかかる時間は、コンテナのサイズと中に入れた物の量によって異なります。コンテナが小さかったり、たくさんの物が中に入っている場合は、少ない時間で脱気を完了できます。

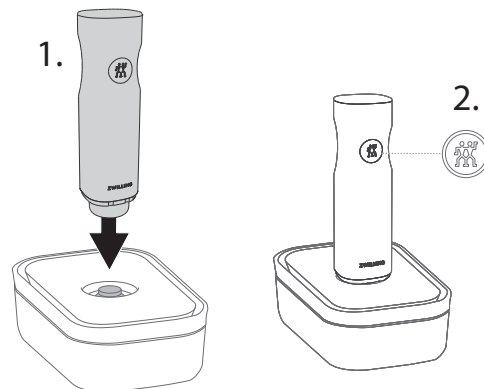
真空ポンプをコンテナのバルブの上に置き、軽く押し下げます。ポンプの電源ボタンを押します。

ポンプがコンテナ内の空気を吸いだし、真空状態になると自動的に停止します。電源ボタンを押して手動で停止することもできます。

ポンプが正しい位置に設置されていない等の理由で真空にできない場合は、2分後に自動的に停止します。コンテナが正しく閉じられていない可能性があります。

！ コンテナを初めて使うときは、洗浄してからご使用ください。使用前は必ず、蓋のシーリングとコンテナの端が清潔で乾いていることを確認してください。

！ コンテナをいっぱいにししないでください。上から1～2cm程度余裕をもたせ、コンテナ内の食材が、蓋の内側のバルブに接触しないことを確認してください。



！ FRESH & SAVEのガラスコンテナは、蓋を外せば、オーブンでも使用できます。オーブン使用の際は、冷蔵庫から出してすぐに予熱されたオーブンに入れるといった、急激な温度変化にさらさないようご注意ください。

！ バッグの開口部が清潔できちんと乾いているか確認してください。バッグのバルブが、バッグの中身に接触しないようにしてください。

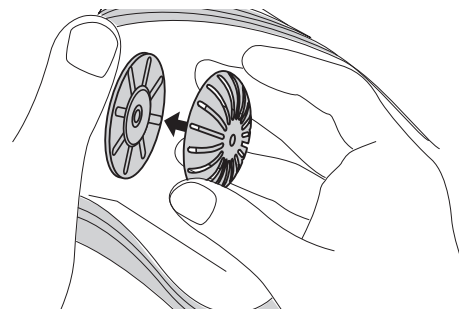
！ スターターパッケージに含まれる全てのバッグとコンテナは電子レンジで使用できます。油分の多い食材は非常に高温になる恐れがありますので、ガラスコンテナをご使用ください。

！ 電子レンジにコンテナを入れる前に、蓋を外してください。

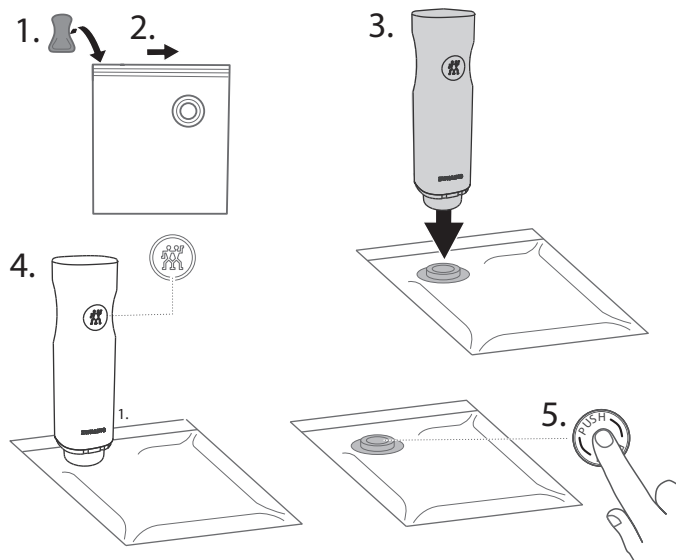
i 柔らかい食材や液状のものは、事前に軽く冷凍してから真空保存することをお勧めします。脱気による食材の潰れや、液体の吸い込みを防ぐことができます。また、こうした食材の保存にはバッグの他に FRESH & SAVE のコンテナも便利です。



マリネや低温調理のように調味液が多い場合は、リキッドプロテクターを使用してください。バッグ内にあるバルブの内側にプロテクターを取り付けてから、バッグを閉じます。プロテクターが脱気中に液体の吸い込みを防ぎます。ポンプが液体を吸い込みそうになったら、直ちに電源ボタンを押して停止させてください。

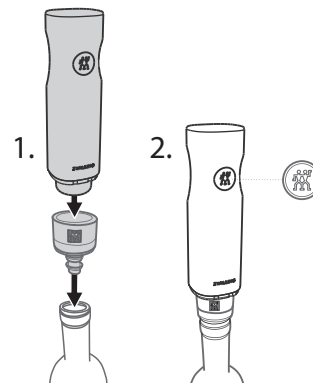


バッグは同梱のクリップで簡単に閉じることができます。クリップでバッグのジッパー部分を挟み、横へスライドさせ、端から端までしっかりバッグを閉じます。ジッパー部分を指でなぞり、バッグが適切に閉じられていることを確認します。バッグを開ける時は、手でジッパー部分を引き離して開けます。



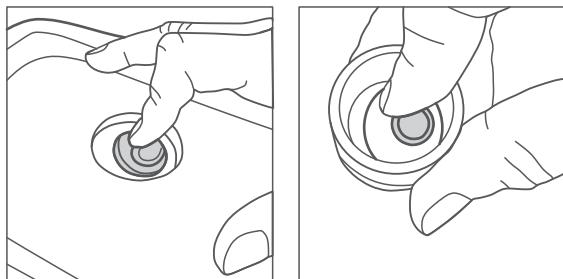
! 脱気が完了したら、赤いシリコーンバルブの中央にある盛り上がったプッシュボタンを押し込んで、バルブを閉じてください。

ボトルに入った液体は、ワインシーラーを使ってそのまま真空保存できます。真空状態になると、ポンプは自動的に停止します。

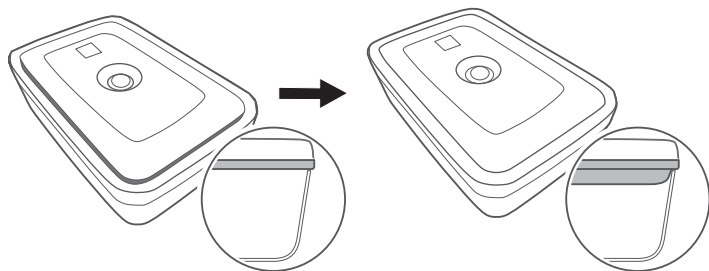


3 真空保存されたコンテナを開ける

シリコーンバルブをそっと引き戻します。空気がゆっくりと入っていき真空状態が解除されます。空気の流れが止まったら、コンテナを開けることができます。



脱気が終わると、コンテナの内蓋が下がり、シーリングが広がります（ランチボックスの蓋はこれにあてはまりません）。内蓋が持ち上がったら、もう一度脱気をやり直す必要があります。コンテナを再び脱気するには、真空ポンプを使います。



4 QRコードとアプリを使う

FRESH & SAVEのコンテナとバッグには、ZWILLING アプリに連動したQRコードがついています。このアプリを使えば、真空保存した食材の管理が簡単にでき、何を保存しているのかを把握することができます。製品についているQRコードから、アプリ内の食材を簡単に登録できます。賞味期限が近づくと、アプリが通知してくれます。ZWILLING アプリをダウンロードしてから、QRコードをスキャンしてください。



バッグにはそれぞれ固有のIDが付与されており、食材を識別することができます。

アプリの情報と無料ダウンロードはこちら



www.zwilling.com/app

お手入れ



清掃を始める前に、電源アダプターを抜き、真空ポンプを充電ケーブルから外してください。

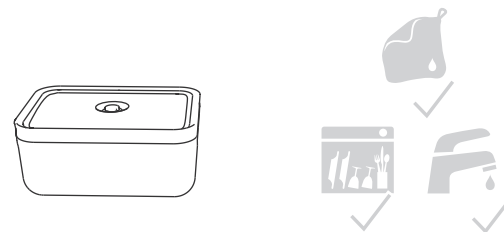
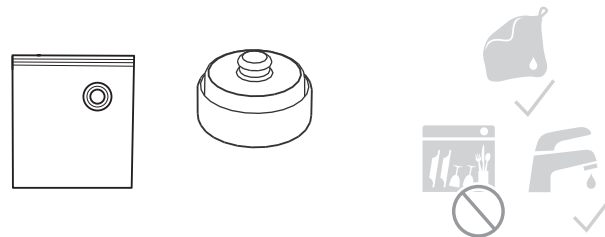
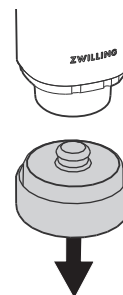
1 真空ポンプのお手入れ

真空ポンプ本体と充電ステーションを清掃するには、水洗いせず、必ず乾いた布が固く絞った布を使ってください。ポンプの各パーツはいずれも食器洗い機では洗えません。



2 シリコンシールのお手入れ

シリコンシールをそっと押し下げ、ポンプ本体から取り外してから水洗いしてください。食器洗い機は使用できません。



3 コンテナのお手入れ

コンテナは食器洗い機で洗えます。蓋は手洗いしてください。

4 バッグのお手入れ

バッグは手洗いして再使用できます。ご使用の後は、毎回バッグの内側と外側をしっかりと洗浄しすいだ後、隅までしっかり乾かしてください。生の肉や魚、卵や生乳チーズなどの生ものを入れていた場合は、特に丁寧に洗ってください。

困ったときは

状況	考えられる原因	対処方法
電源ボタンを押してもポンプが作動しない。	ポンプのバッテリー残量が少ないか、充電されていない。	ポンプを充電してください。
	コンテナの蓋やシリコーンシール、バルブが正しい位置にしっかり取り付けられていない。	取り付け位置が正しいか、蓋がきちんと閉まっているかを確認してください。
コンテナが真空状態にならない、または真空状態が持続しない。	シリコーンシールやコンテナのバルブが汚れている、または濡れている。	シリコーンシールやコンテナのバルブを清掃し、乾かします。
	ポンプとバルブの間に隙間がある。	脱気中、ポンプのシリコーンシールが蓋のバルブに密着するよう、ポンプを軽く押し下げてください。

上記の対処方法をとっても問題を解決できない。真空ポンプが故障している恐れがあります。

お客様相談係までご連絡ください。ご自身での修理はおやめください。

脱気中にポンプが停止し作動しない。脱気中にポンプが液体を吸い上げた。

ポンプは上下逆さにしないでください。ポンプを軽く振り、液体をすべて取り除いてください。ポンプと充電ステーションが完全に乾いていることを確認してください。充電ステーションにポンプを1秒間差し込んでリセットし、充電ステーションから取り外して電源ボタンを押します。その際、液体が滴り落ちることがあります。ポンプが再び停止した場合は、このプロセスを繰り返してください。

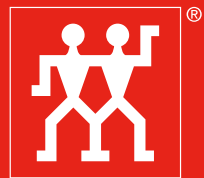
お客様相談係

ご使用の真空ポンプに不具合が発生した場合は、弊社お客様相談係までご連絡ください。サービス、修理、保証に関する詳細は www.zwilling.com/service にてご覧いただけます。

廃棄方法のご案内



本製品を家庭ごみと一緒に廃棄しないでください。環境を守るため、廃棄する際は各自治体の指定する廃棄方法に従い、正しい収集場所にお出してください。環境への悪影響や健康へのリスクを最小限にするため、各部品を適切に分別して廃棄してください。様々な素材を再利用することで、エネルギーや原材料の削減にもつながります。



ZWILLING

ZWILLING J.A. HENCKELS, LLC

Pleasantville, NY 10570
www.zwilling.com

010347715_0720
Made in China